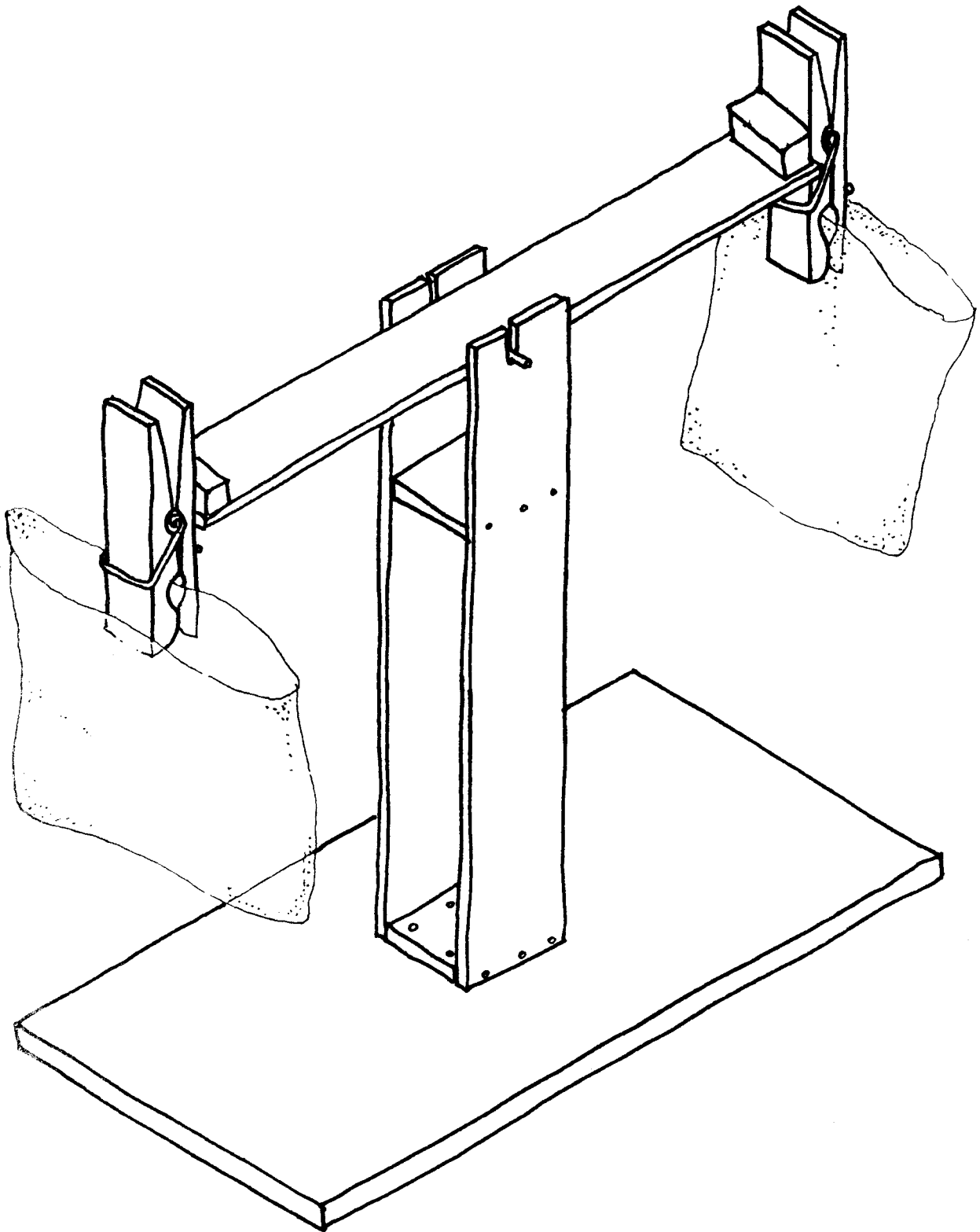


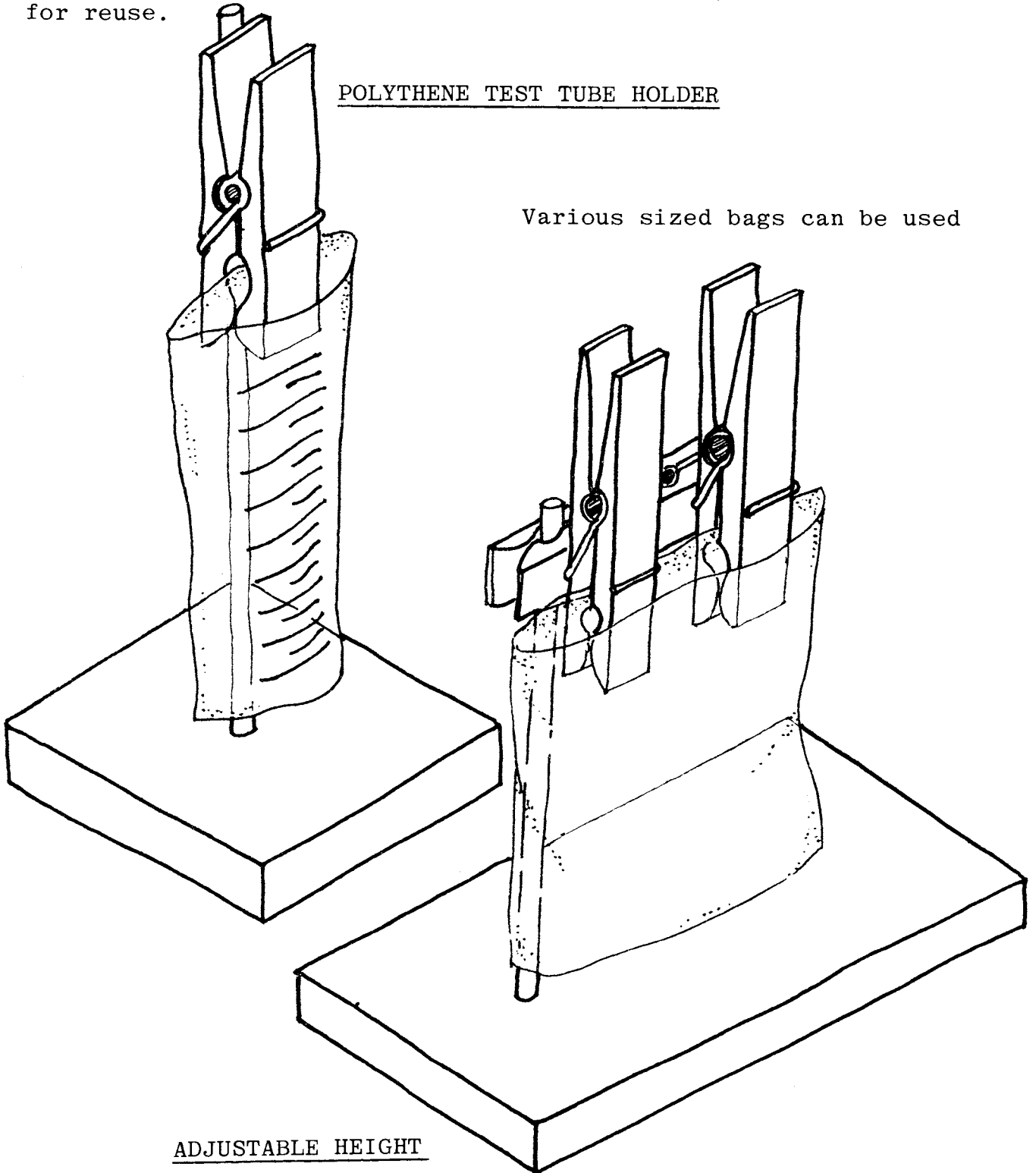
SCALES WITH POLYTHENE BAG



The size of these polythene bag test holders will depend entirely on the size of the bags to be used. So long as the base is heavy and large enough to support the bag when it is full with water it will be safe. Dangerous materials should never be used in the classroom and the experiments which the children are involved with must be safe and simple. Only use waterproof glue for fixing the pegs to the dowel and when fixing the pegs together. All parts should be well painted with a waterproof paint so that the holder can be thoroughly washed after use. As polythene bags are not expensive, do not wash them for reuse.

POLYTHENE TEST TUBE HOLDER

Various sized bags can be used



ADJUSTABLE HEIGHT
POLYTHENE BAG HOLDER